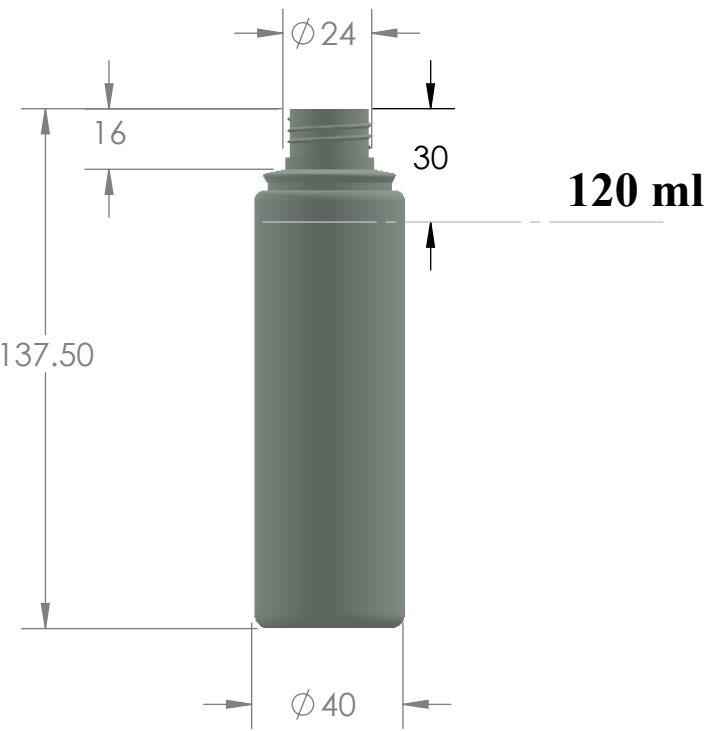


6 5 4 3 2 1

D

D



C

C

B

B

### First Plast

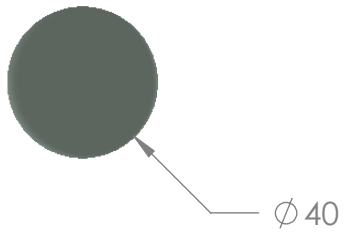
<b>Material:</b> PE	<b>Part No.:</b> FB 2006
---------------------	--------------------------

### Bottle 120 ml

<b>Quantity:</b>	<b>Scale:</b> 1:2
------------------	-------------------

A

A



6 5 4 3 2 1