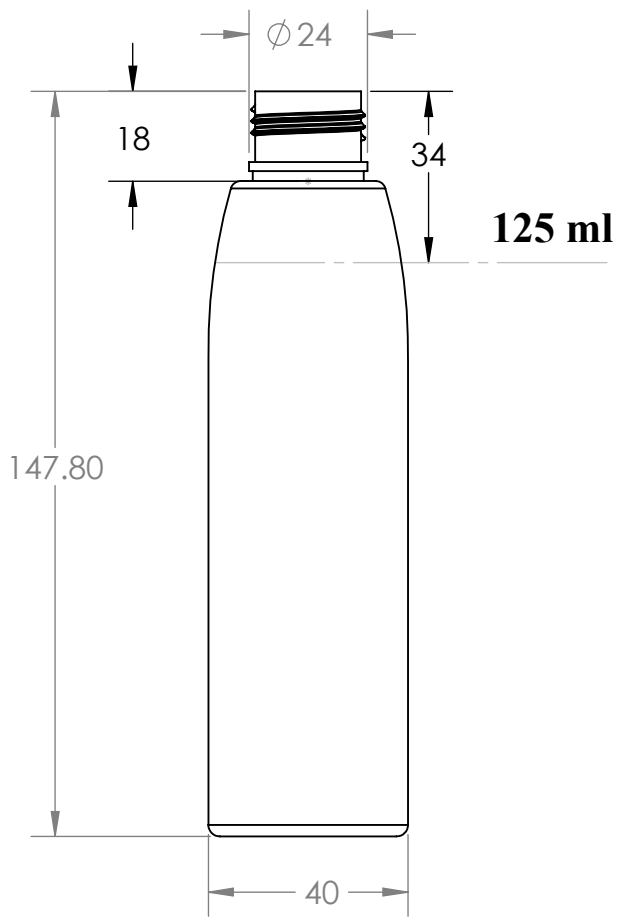


6 5 4 3 2 1



First Plast

Material: PET	Part No.: FPT 2002
----------------------	---------------------------

Bottle 125 ml

Quantity:	Scale: 2:3
------------------	-------------------

Revised by:

6 5 4 3 2 1

D
C
B
A

D
C
B
A